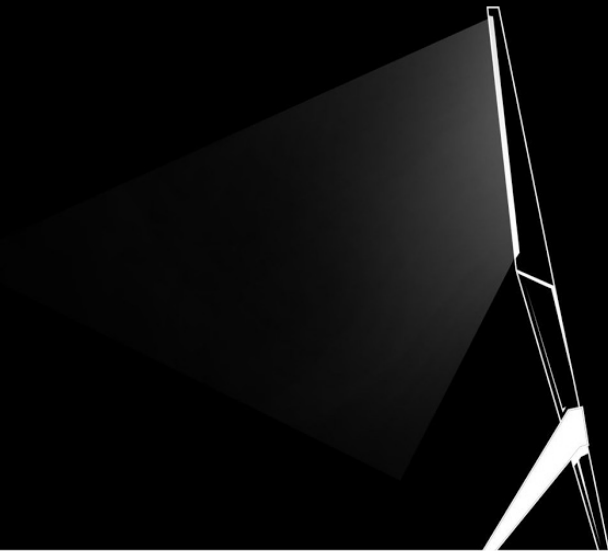


# woomera



## User guide



# INTRO

The floor lamp is emphasized by its dynamic shape in all positions that are formed with the rotation of the upper part. By rotation (360 °) the user has the possibility of directing the beam and, if necessary, the intensity of the light can be controlled by touching the sensor switch / dimer (Image 01, 04)

By adjusting the intensity of the light to the needs of the user, it provides both working and ambient lighting.



All safety notices are marked with this symbol. Please carefully read through and follow the safety notices in order to avoid injury to persons and property.



Tips and recommendations are marked with this symbol.

## SAFETY INSTRUCTIONS



- This lamp is designed for illumination in dry indoor rooms. It is not suitable for use in damp rooms, e.g. bathrooms.
- This product is designed for private use and is not suitable for commercial purposes. Only use this product as described in these instructions.

### **Risk of injury for children, persons and animals!**

- Keep children away from packaging -risk of suffocation!
- Keep children away from the lamp, and do not leave them unsupervised with the lamp.
- Do not look directly into the light source! Your eyes could be damaged.
- Keep animals away from the lamp!



# SAFETY INSTRUCTIONS

## Electricity – Risk of electric shock!

- Keep the lamp away from humidity.
- Connect the lamp only to outlets corresponding with the technical specifications of the lamp.
- Check the lamp before each use for damage. The lamp is not to be used when it shows visible damage.
- Do not take the lamp apart and only have it repaired at your local electrical store.
- Before cleaning or if the lamp is not to be used for a long period, unplug the lamp from the power supply.
- During storms unplug the lamp from the power supply. When removing the plug from the socket, always pull on the plug and not the cable.
- A damaged cable must only be repaired at your local electrical store.
- Do not use the lamp if it is damaged or if the connecting cable shows any kind of visible damage.

## Location

- Always place the lamp on an even and stable surface to prevent it from tipping over.
- Do not subject the device to extreme temperatures, severe changes in temperatures, direct sunlight or moisture.
- Do not allow the device to fall and do not subject it to strong impacts.
- Keep the lamp well away from heat sources such as stovetops or ovens.
- Ensure that the device is not able to fall in water and cannot get wet.

## Damages on device and materials

- Do not cover the lamp, for example with drapes or anything else. This could lead to a fire.
- Only use LED strip which correspond to the technical specifications. Replacement LED strip are available to purchase by calling the customer services number at the back of these instructions.

# WARRANTY PROVISIONS

Any defects caused by improper use, damage, or attempts at repair by third parties are excluded from the warranty. This also applies to normal wear and tear of the individual components.



# PRODUCT HANDLING

The floor lamp consists of three basic parts:

- A steel stand
- B lower wooden part
- C upper (rotating) wooden part with integrated light

By rotating the upper part of the lamp, the light beam can be directed in the desired direction (Image 01). The intensity of the light can be controlled by touching the touch switch (Image 04).

## ROTATING CONCEPT

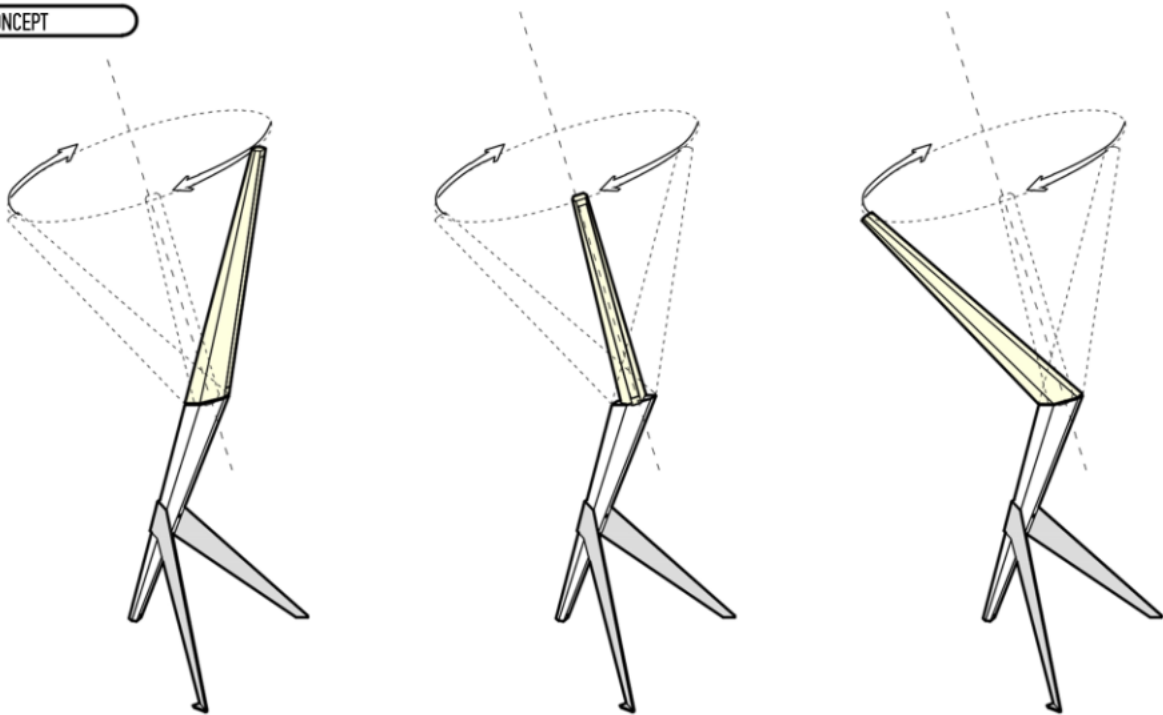
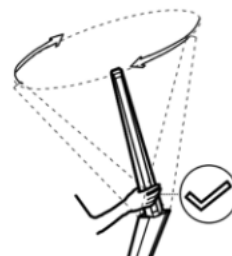


Image 01

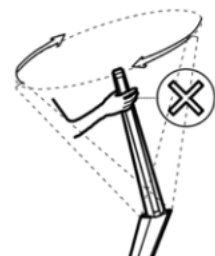
## ROTATING TIP



When rotating, take care to grab the rotating part of the lamp in the zone from the first image, given as a good example of use (Image 02, 03).



**DO**  
Image 02



**DON'T**  
Image 03



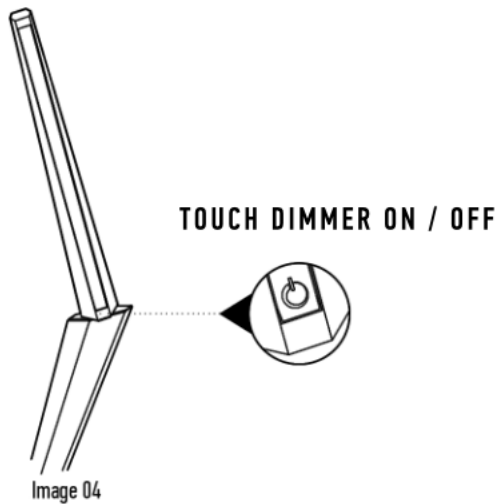
# PRODUCT HANDLING

## Turn the lamp on/ off

By pressing the marked spot.

## Adjusting the intensity of the light

Keep your finger in the marked place to the desired intensity.



## Led strip replacement



Replacement is performed by an authorized person.  
Always use the prescribed led strip (see technical specifications).

## Care / Maintenance



Keep the lamp away from humidity.

1. Unplug the lamp from the power supply
2. Dust off the lamp if necessary with a dry cloth.



## TECHNICAL DATA

### Technical specifications

Unit: floor lamp

Voltage supply: 200-240V AC / 50/60 Hz 24V / 0.75A

LED strip light: type LM3528-WN240-WW-24V single row

Technical support: [service@ubovic.design](mailto:service@ubovic.design)



The packaging material is recyclable. Dispose of the packaging in an environmentally friendly manner.



Dispose of the product in an environmentally friendly manner when you decide to part with it. This device should not be disposed of with household waste. Dispose of it at a recycling centre for old electrical and electronic appliances.



## GUARANTEE

-2 years on built-in electrical components and LED lighting

-5 years on the rotating mechanism

